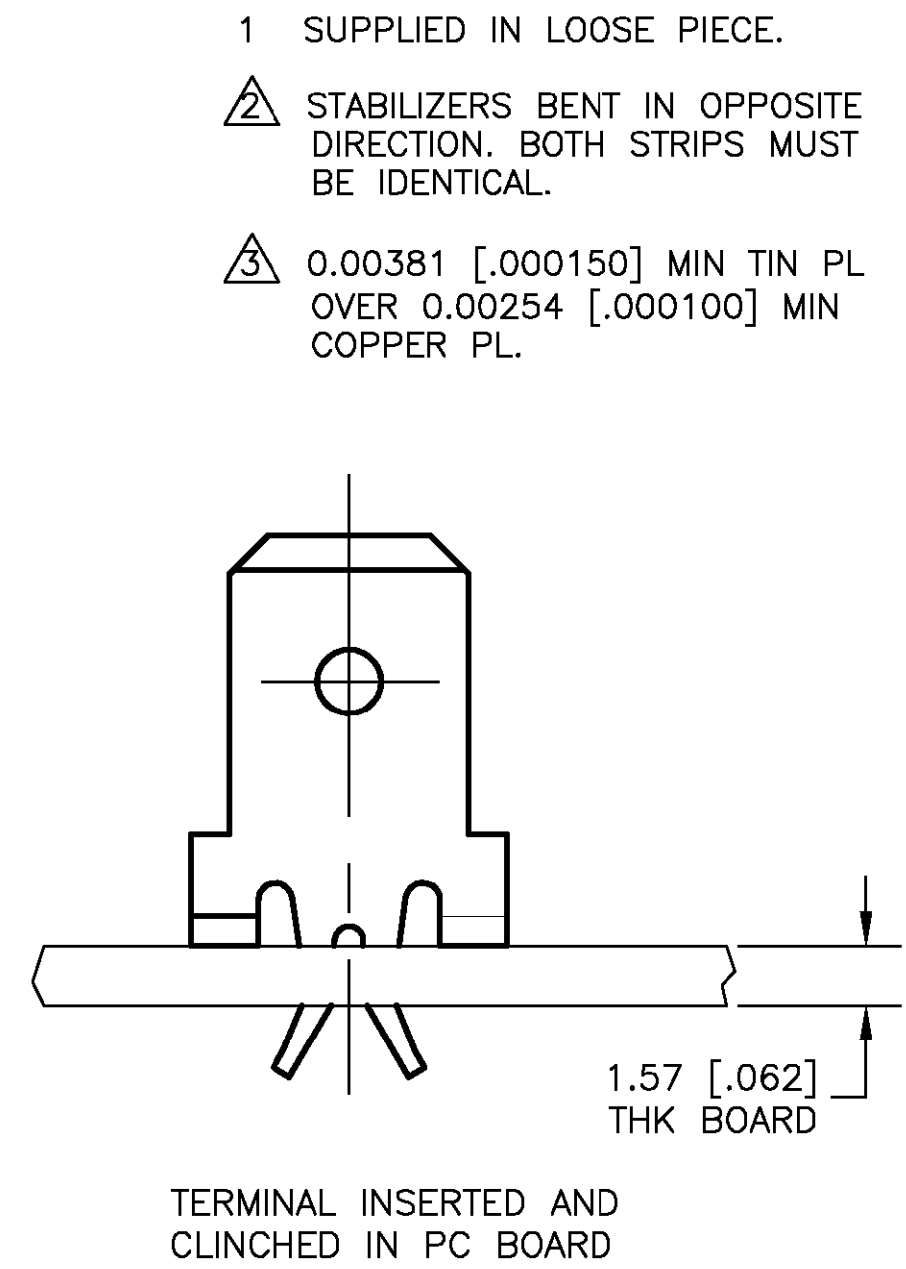
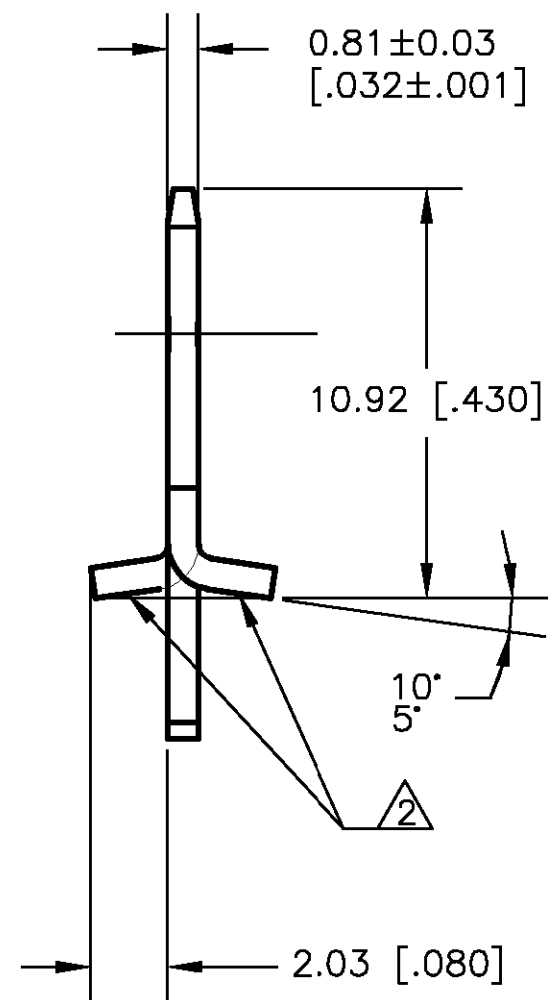
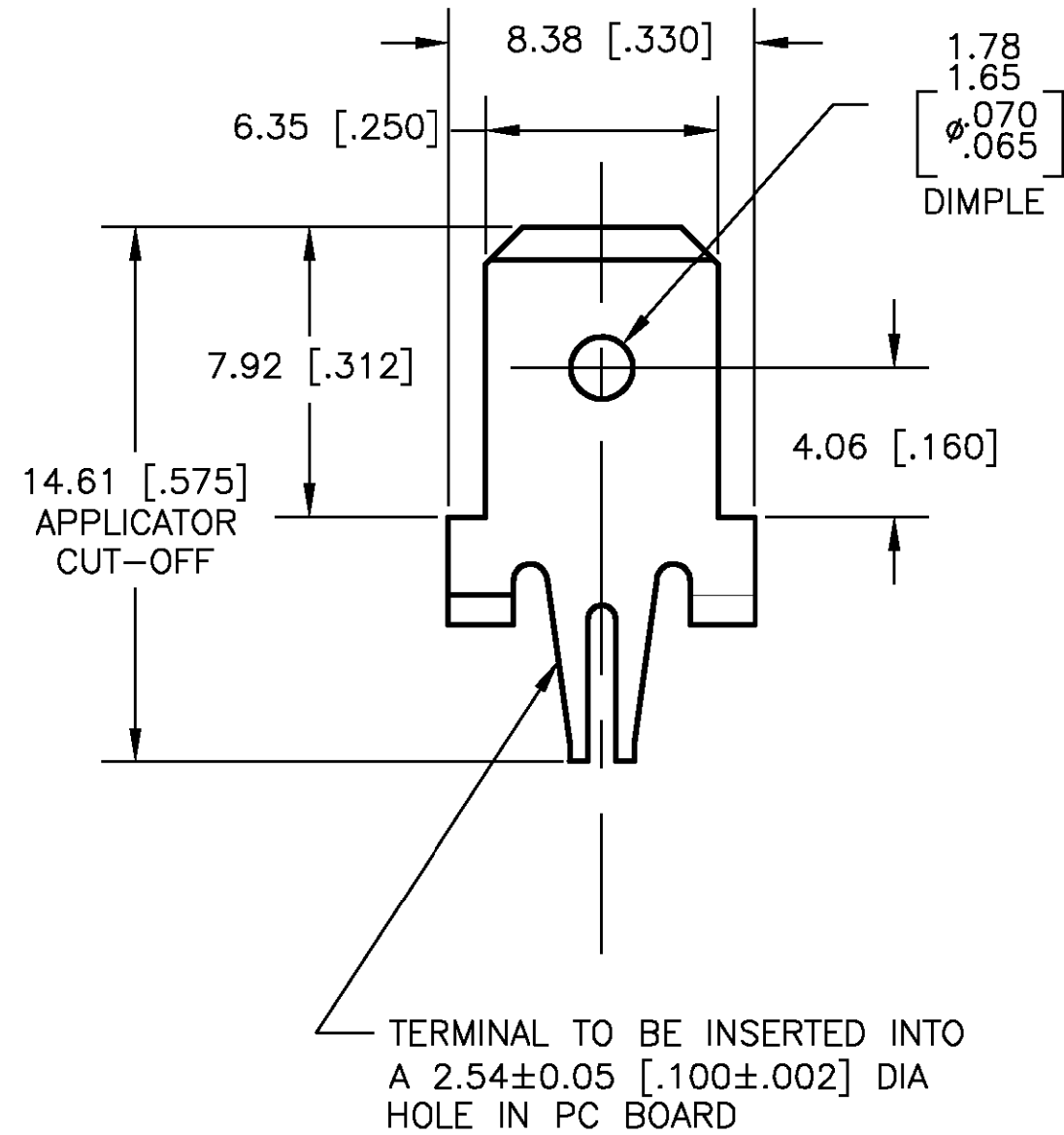


THIS DRAWING IS UNPUBLISHED. RELEASED FOR PUBLICATION
 © COPYRIGHT BY TYCO ELECTRONICS CORPORATION. ALL RIGHTS RESERVED.

LOC	DIST	REVISIONS				
P	LTR	DESCRIPTION	DATE	DWN	APVD	
AF	50	A	REDRAWN PER 0G3A-0124-01	20FEB01	JR ND	



63066-1	63067-1
STRIP P/N	PART NO.

THIS DRAWING IS A CONTROLLED DOCUMENT.		DWN JR RUTH 20FEB01	Tyco Electronics Corporation Harrisburg, PA. 17057	
DIMENSIONS: MM [INCHES]		CHK MS FEHER 20FEB01	NAME TAB, FASTON, PC BOARD 6.35 [.250] SERIES	
TOLERANCES UNLESS OTHERWISE SPECIFIED:		APVD N DEIBERT 20FEB01	PRODUCT SPEC	
0 PLC ± -		APPLICATION SPEC	RESTRICTED TO	
1 PLC ± -		WEIGHT -	SIZE A3	CAGE CODE 00779
2 PLC ± 0.38 [.015]		CUSTOMER DRAWING	DRAWING NO C-63067	SCALE 5:1
3 PLC ± -			SHEET 1 OF 1	REV A
4 PLC ± -				
ANGLES ± -				
MATERIAL 082 BRASS	FINISH - 3			